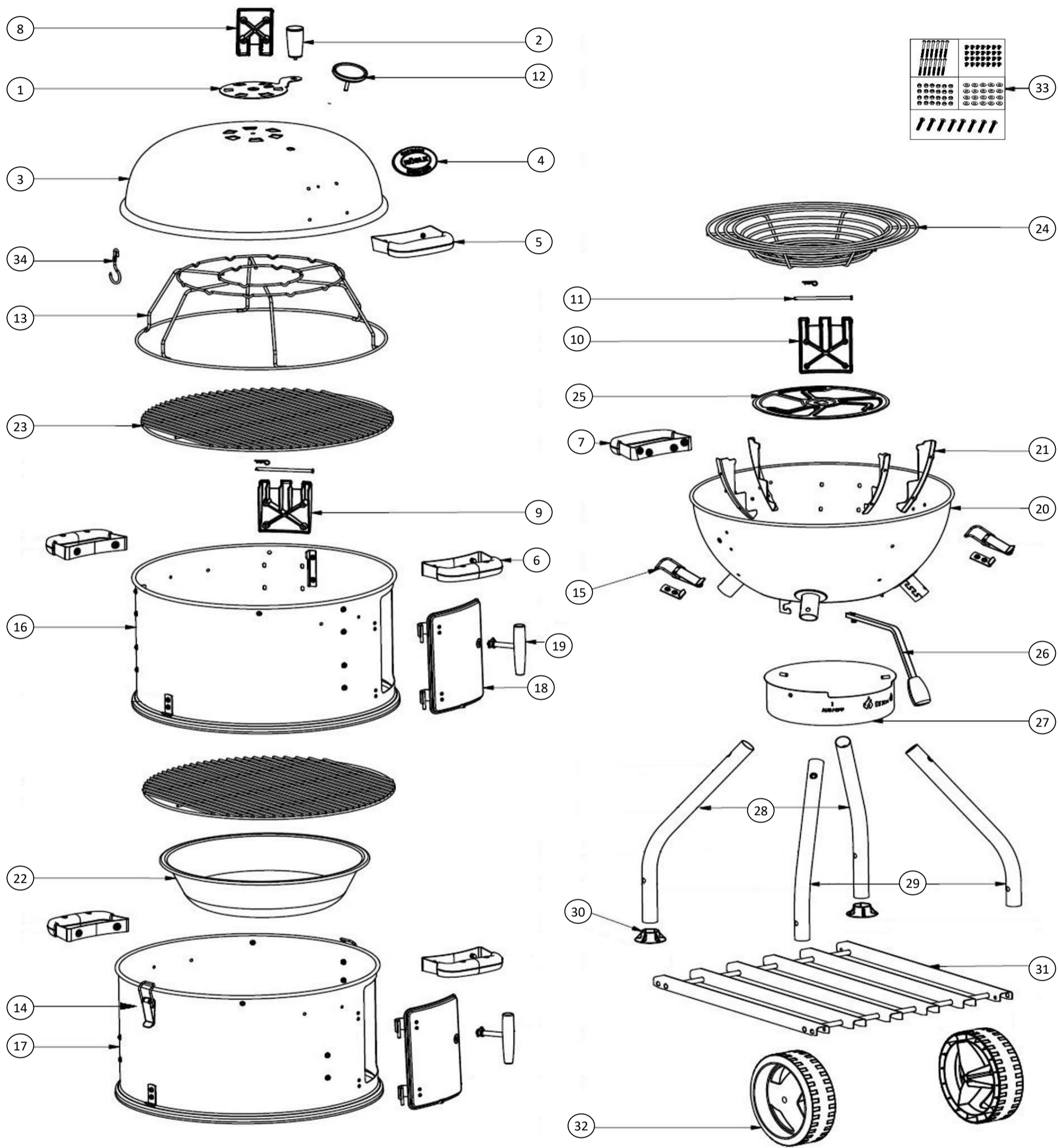


By clicking on the number, the spare part is displayed on the homepage!

Spare parts

25009 Smoker No. 1 F50-S



By clicking on the world globe, the spare part is displayed on the homepage!

Spare parts

25009 Smoker No. 1 F50-S



Date: 2023-09-08

No.	Art. No.	Description	
1	25875	Damper Sport F50/F60 (incl. screw set)	
2	25863	Handle ventilation plate AIR F50/F60 (Belly, Smoker)	
3	25878	Lid without logo and attachments	
4	25874	RÖSLE Logo No. 1 AIR F50 (Sport F50 incl. Nuts)	
5	25879	Lid Handle Sport F50/Belly/Smoker (incl. screw set)	
6	27000	Handle for smoker Tube Smoker (incl. screws)	
7	25919	Carry Handle Smoker (incl. screws)	
8	25881	Lid Hinge upper part F50 AIR/Sport/Smoker (incl. Screw set)	
9	25920	Lid Hinge Smoker Ring Smoker (incl. screws)	
10	25882	Lid Hinge fire bowl F50 AIR/Sport/Smoker (incl. Screw set)	
11	25806	Bolt & Slint AIR/No 1/G60 (for lid hinge)	
12	27212	Thermometer Videro (incl. nut)	
13	25922	Smoking rack Smoker	
14	27001	Lock lower tube Smoker (2 pces incl. Screws)	
15	27002	Locks Fire bowl Smoker (2 pces incl. Screws)	
16	27003	Upper Tube Smoker (w/o door)	
17	27004	Lower tube Smoker (w/o door)	
18	25925	Door Smoker (w/o handle)	
19	25926	Door handle Smoker (incl. screws)	
20	27005	Fire bowl Smoker F50-S (w/o mounting parts)	
21	25884	Grid holder for Fire Bowl F50 AIR/Sport F50/Smoker (4 pces incl. Screw set)	
22	25929	Water bowl Smoker F50	
23	25895	Grilling Grate Sport F50 (stainless steel 20 in.)	
24	25870	Charcoal Grate reversible (F50,F50 AIR, Sport F50, Belly)	
25	25931	Damper plate fire bowl Smoker	
26	25886	Handle for inlet damper (Belly, Sport F50) (incl. Screw)	
27	25887	Ash Collector (Sport F50/F60, Smoker)	
28	25932	Tube element long Smoker (incl. slide foot - 2 pces)	
29	25933	Tube element short Smoker wheel axle (w. holes for wheel axle 2 pces)	
30	25934	Slide Feet Smoker (2 pces)	
31	25891	Rack (Sport F50/Smoker)	
32	25892	Plastic Wheel (Smoker, Sport F50/F60) 1 pce	
33	25894	Screw set complete (Smoker, Sport F50/60)	
34	25928	Smoking Hooks (Smoker)	